
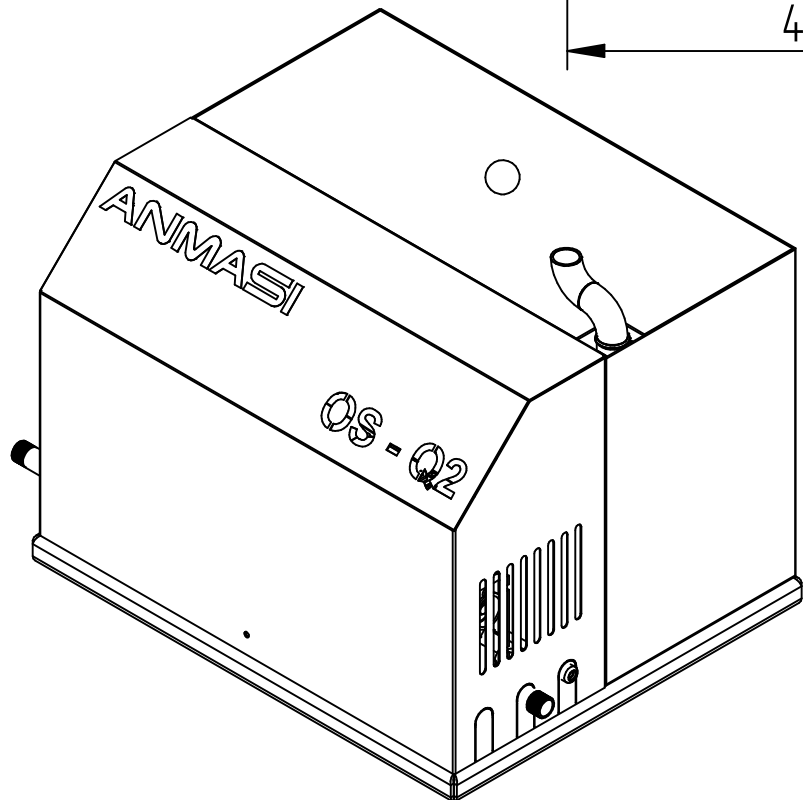
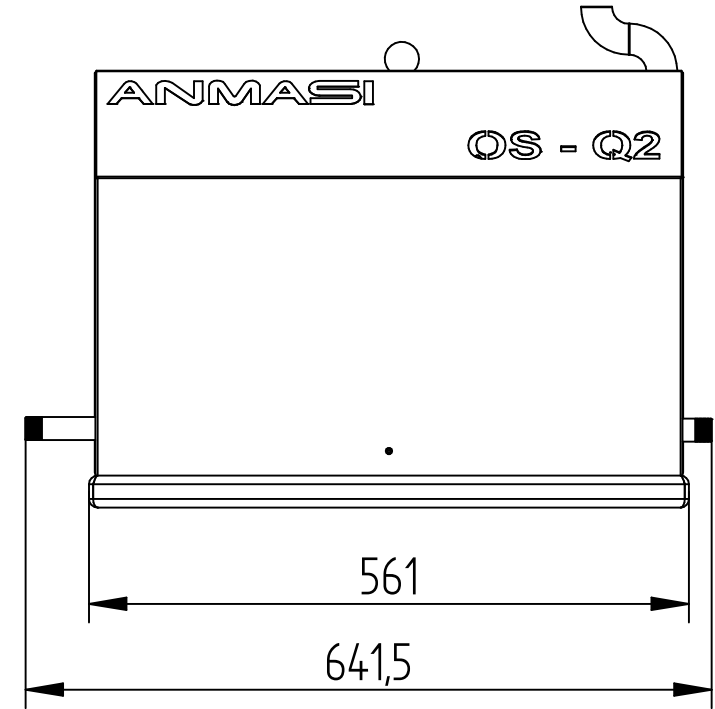
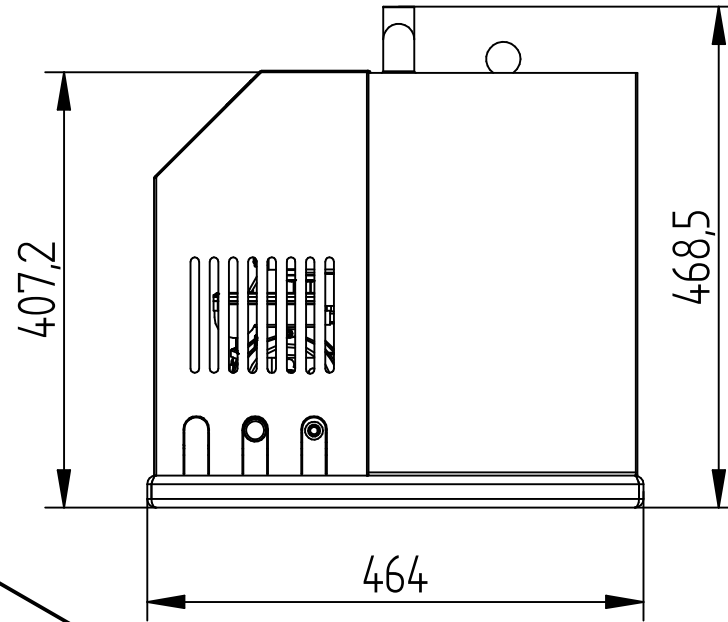



STK
MATERIALE

| DRAWN | NAME | DATE |  | | |
|---|------|----------|---|--|---------------|
| | DSFI | 04/04/19 | | | |
| UNLESS OTHERWISE SPECIFIED DIMENSIONS ARE IN MILLIMETERS | | | SIZE A3 | DWG NO 70580030-KOMPLET OS-2S -2015 - | REV SCALE: |
| | | | 1:2 | WEIGHT: | SHEET 1 OF 2 |



STK
MATERIALE

| | NAME | DATE |  | | |
|---|------|----------|---|--|--------------|
| DRAWN | DSFI | 04/04/19 | | | |
| UNLESS OTHERWISE SPECIFIED DIMENSIONS ARE IN MILLIMETERS | | | SIZE A3 | DWG NO komplet os-q2 rev 2 med Anmasi Logo. | REV |
| SCALE: 1:5 | | | WEIGHT: | | SHEET 1 OF 2 |