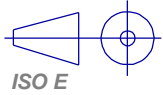


Cleaning Area: Ø 1000 x H = 700
 Max Load: 400 Kg.
 Tank volume: 450 Ltr.
 Heating effec: 9 KW.
 Flow: 250 Ltr./min.
 Pressure: 3,5 - 4,2 Bar.
 Machine weight: 450 Kg.
 Fuse: 25 Amp

Messure, Weight and data are indicative, and may be change.

A4



ISO E

Skala:
1:26



Generelle
tolerancer:

ISO 2768-1
medium

Filnavn

AFP. 1000 Mål og Data.icd

Tegnet af:

JJ

Kontrolleret

...

Ordre no:

...

Senest gemt

14-03-2019 14:27

tegnet den:

14-03-2019

ANMASI Precision Cleaning

Thorsvej 106. DK-7200 Grindsted
Tlf. +45 76500232. www.anmasi.dk

DATA

Technial messure and data

Blad nr:

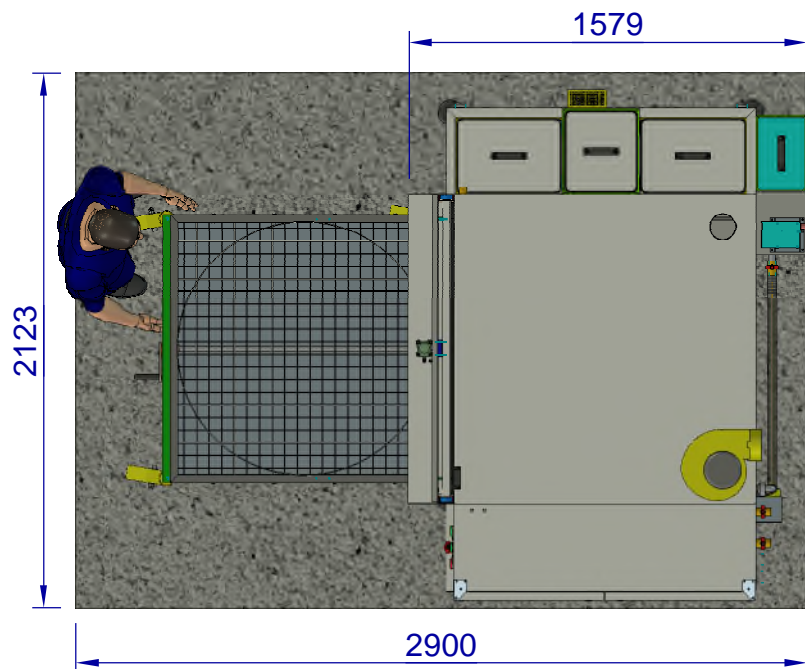
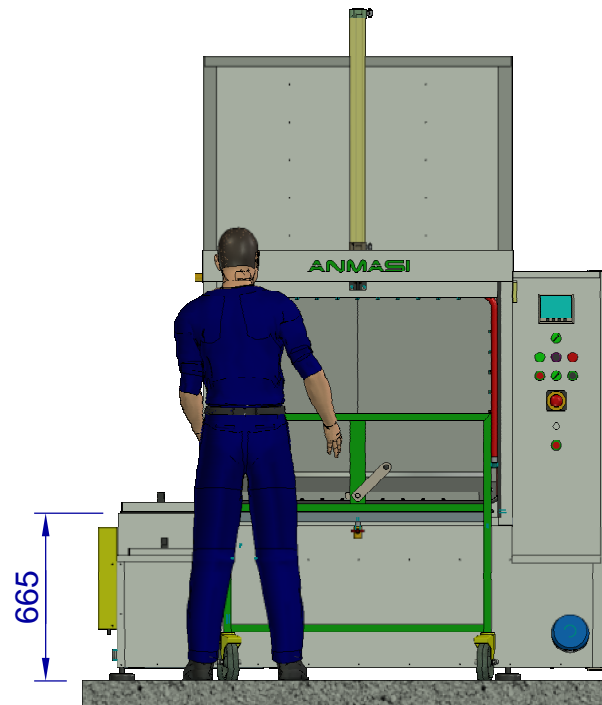
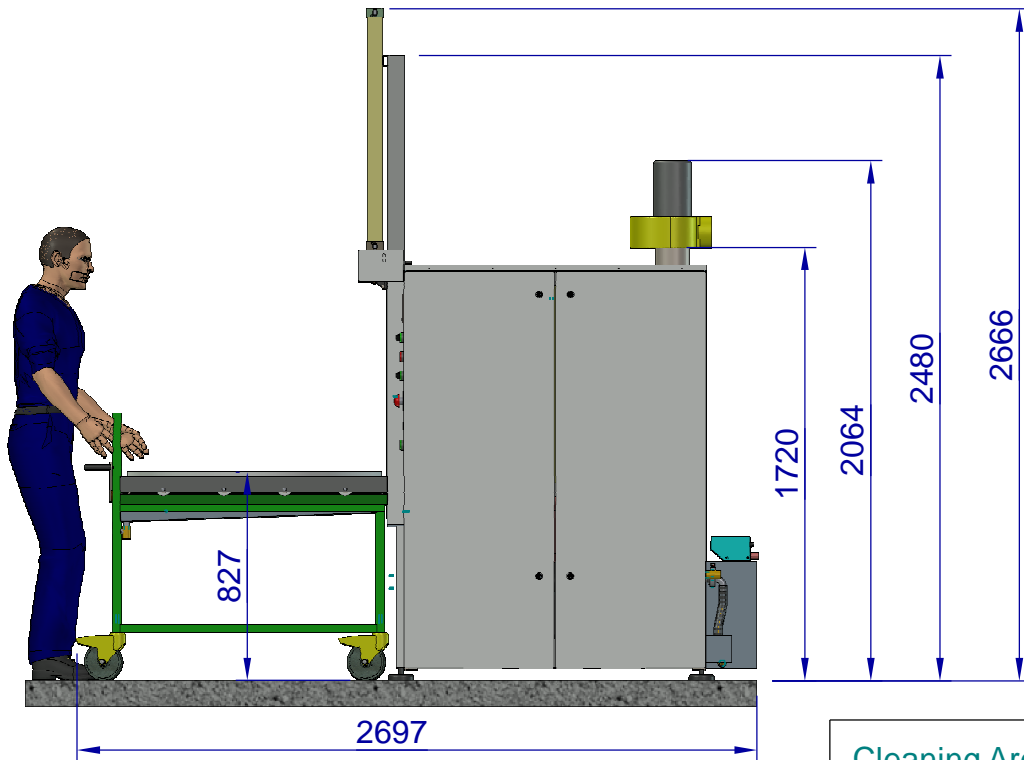
1 1

Rev.

...


Tegn nr.

AFP.1000



Cleaning Area: Ø 1000 x H = 700 mm.
 Max Load: 400 KG.
 Tank Volume 1. 275 Ltr.
 Tank Volume 2. 275 Ltr.
 Heating effect 1: 9 - 12 KW.
 Heating effect 2: 9 - 12 KW
 Flow 1: 250 Ltr./min.
 Flow 2: 250 Ltr./min.
 Pressure: 3,5 - 4,2 Bar.
 Machine weight: 650 KG.
 Fuse: 63 Amp.

Messure, Weight and data are indicative, and may be change.

A4  ISO E	 Generelle tolerancer:	Filnavn AFP-1000. WR.icd		Senest gemt 15-03-2019 11:14	
	Skala: 1:30	ISO 2768-1 medium	Tegnet af: JJ	Kontrolleret: ...	Ordre no: ...
ANMASI Precision Cleaning Thorsvej 240. DK-7200 Grindsted Tlf. +45 76500232. www.anmasi.dk			DATA		Blad nr: 1 1
			Techinal messure and data		Tegn nr. AFL-1000 WR