

MAGNETIC SEPARATOR

Compact magnetic separator that is easy to integrate into existing equipment and is mainly used for mounting on a bandfilter.

This magnetic separator comes with a very powerful magnet and a large surface area which makes it extremely effective in removing the magnetic particles.

The magnet separator can be offered on request in a special edition that can be used for acid and corrosive liquids.

It comes standard in stainless steel including manifold for distribution of liquid and dirt tray ready for installation.

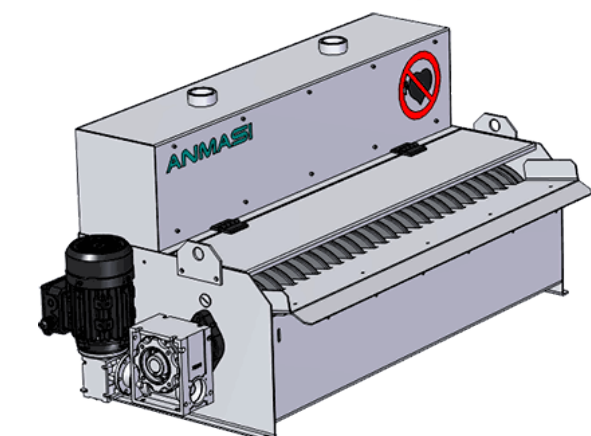
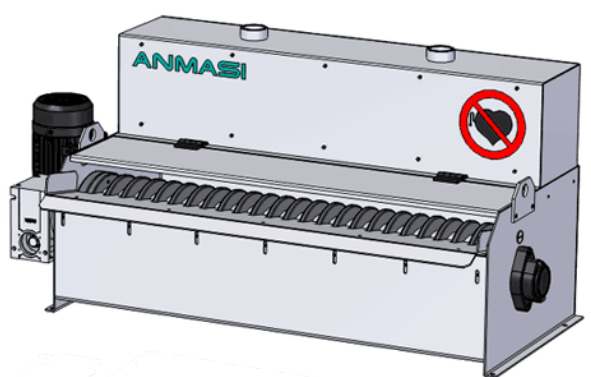
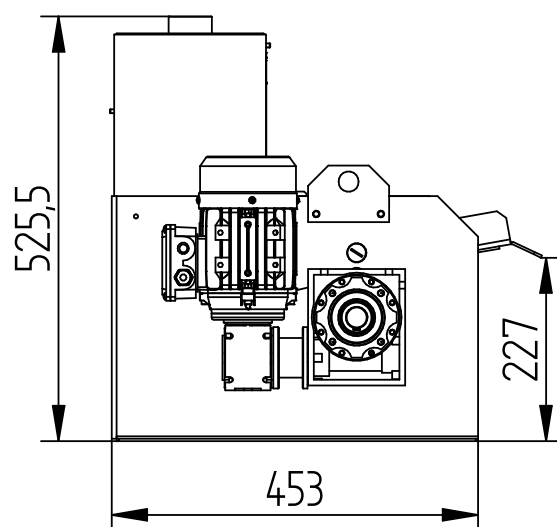
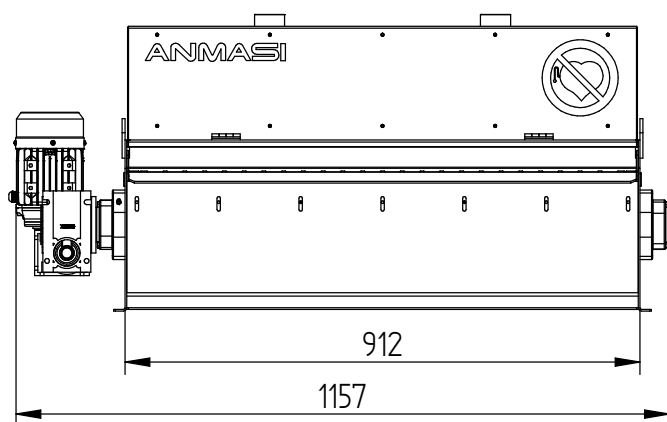
Applications:

- Lubricants
- Process fluids
- Oil
- Waste water treatment



Model	Coolant, l/min.	Oil, l/min.	Width, mm	Weight kg.
MS-100	100	80	171	55,2
MS-200	200	160	276	70,6
MS-300	300	240	381	86
MS-400	400	320	486	101,4
MS-500	500	400	591	116,8
MS-600	600	480	696	132,2
MS-700	700	560	801	147,6
MS-800	800	640	906	163

DRAWING:
MS-800



✓ Fluid manifold

Magnet separator is including manifold for even distribution of the liquid which ensures the best result.

✓ Large magnetic surface

The design means that we have a large magnetic surface that improves filtration.

✓ Stainless steel construction

The magnet separator is supplied in stainless steel which makes it unique and at the same time we can easily adapt it to work with acid.

✓ CE - European machine directive

The magnetic separator is produced in Denmark in accordance with the European machine directive.