

ATEX SYSTEM

We are specialists in delivering **ATEX-zone 2 cleaning systems** used for **hazardous liquids** and our standard system is available with both **washing, rinsing and drying** in an **automatic and manual version**.

This system is cleaning the parts with ultrasonic cleaning and can be used for **solvents** and **alcohols** with a **flash point down to 12°C**.

The system comes standard with ultrasonic cleaning, rinsing and drying in a unique design, where safety and functionality are paramount, which is clearly reflected in the amount of standard equipment.

The explosion protection is such that we add nitrogen to the ultrasonic cassette where the transducers are placed inside the ATEX zone, thereby removing the risk of ignition. The uniqueness of our system is that we do not have a continuous addition of nitrogen during operation, which would create a large consumption and need for a large nitrogen container, often creating some other safety issues.

Instead, we have a constant pressure monitoring of the ultrasonic cassette which is connected to a small container of nitrogen which simply maintains the nitrogen pressure and gives an alarm if a pressure drop occurs.

The ultrasonic cleaning system is supplied with antistatic bracelet for the operator, which ensures grounding during operation of the equipment so that the risk of ignition is eliminated during operation of the advanced cleaning system.

This cleaning system is widely used in the 3D printing industry for cleaning SLA-printed parts in epoxy and acrylic resin, but is offered for all tasks where it is necessary to work with explosive liquids. It is

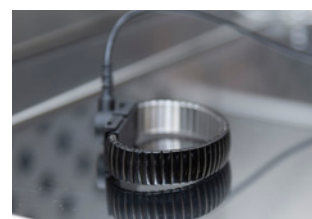
supplied both as a standard and special solution depending on the customer's needs.



Digital timers



Touchpanel



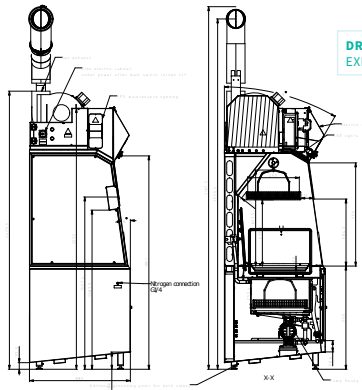
Antistatic bracelet



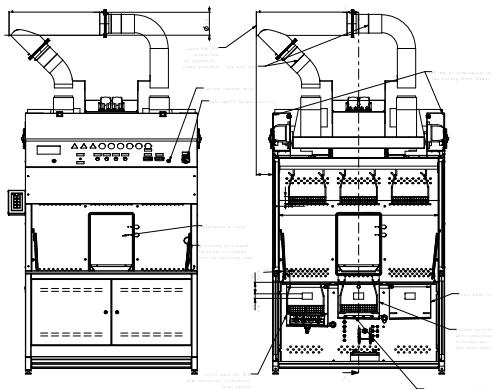
Extraction fans



Operator working area - extraction cabinet



DRAWING:
EXLINE-LINE 60WRD



✓ ATEX ZONE 2

The ultrasonic cleaner is designed for liquids with a low flash point that creates an explosive atmosphere.

✓ 100 % stainless steel construction

The ultrasonic cleaner is with electro-polished stainless-steel surface in the work area and cabinet in brushed stainless steel.

✓ Raised immersibles

The ultrasonic cleaner has raised transducers which are placed 100 mm above the tank bottom to prevent soils from disturbing the ultrasound.

✓ Air turbulence in rinsing

The rinsing tank is with a stainless-steel pipe mounted in the bottom of tank for creating turbulence with high pressure air.

✓ Pressure monitoring of nitrogen

Unique pressure monitoring of the nitrogen connection ensuring constant low consumption and eliminating the risk of forming an explosive atmosphere during operation.

✓ Double fan system

The system is equipped with 2 fans in the event of a breakdown which reduces the risk of creating an explosive atmosphere.

✓ Basket holder

Safe and user-friendly holder for the baskets inside the work area so that the baskets do not lie around the machine.